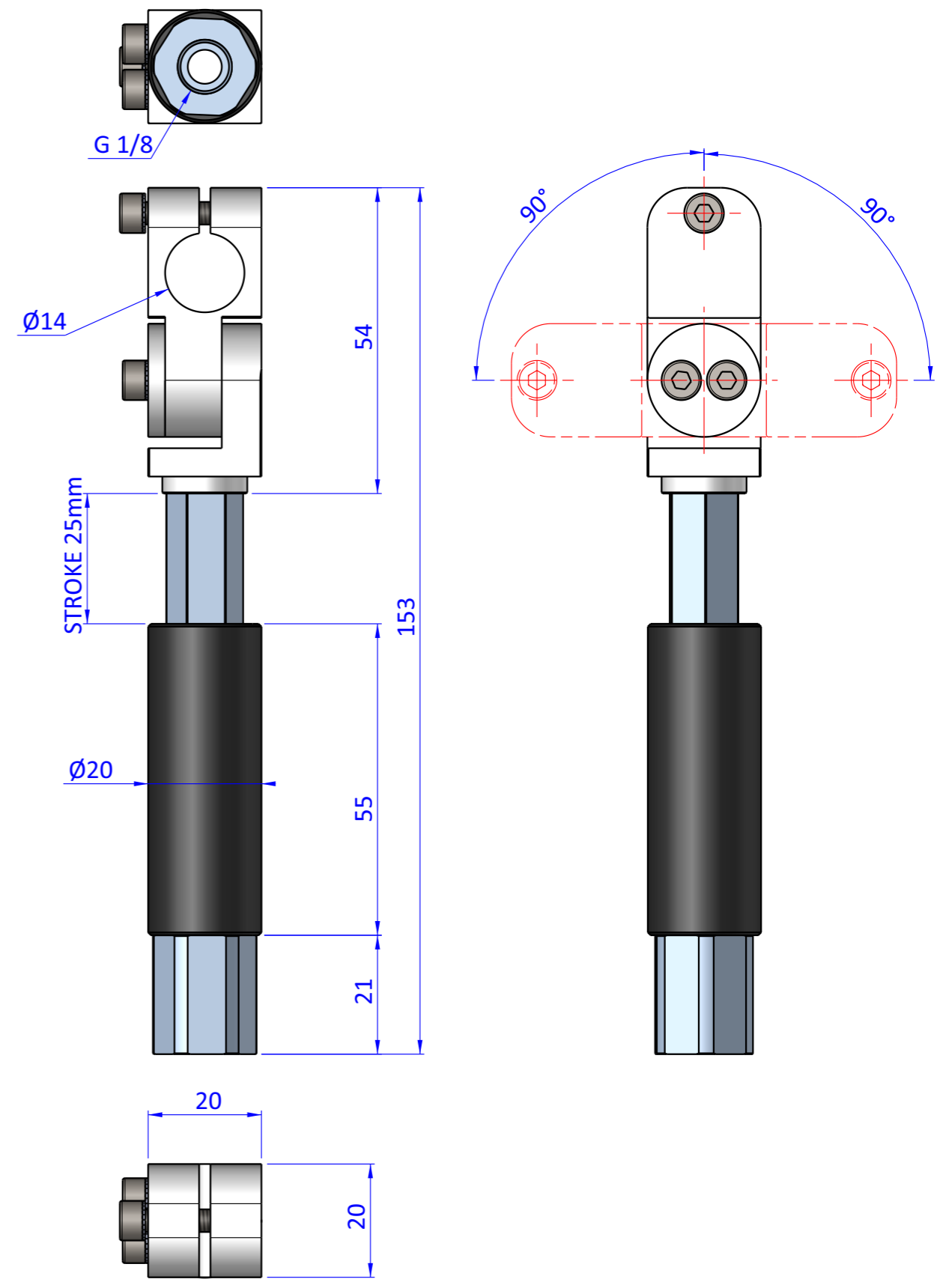
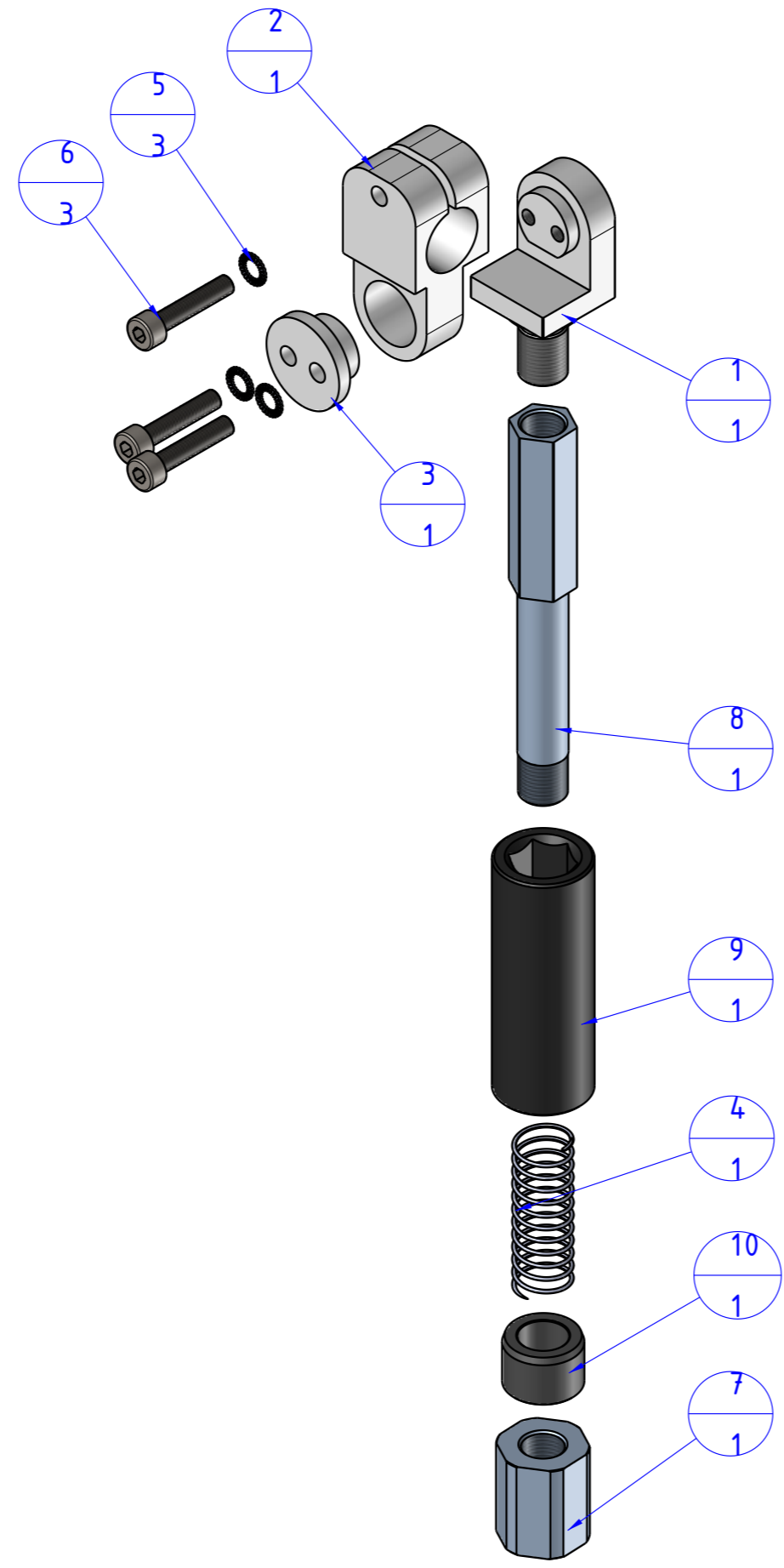



THE PROPERTY OF THE DRAWING IS ESTABLISHED BY LAW. IT IS FORBIDDEN TO PRODUCE OR SHOW IT TO THIRD PART. WITHOUT A WRITTEN AGREEMENT.

Item	Name	Q.ty
1	GRZ.202514.1	1
2	GVR.14.2	1
3	GVR.14.3	1
4	M.12X39.50	1
5	R.4.SCH	3
6	V.TCE4X20	3
7	VSN.20.1	1
8	VSN.2025.4	1
9	VSN.2025.2.1	1
10	VSN.2025.3	1



Format A3
UNI 936-76

 FPS FPSERVICES AUTOMATION		DESIGNED FROM		REVIEW
		FPS Automation		A
GENERAL TOLERANCE		DATE		WEIGHT
UNI - ISO 2768		23/10/2020		0,095kg
CLASSE f		CODE		
		CA.SMN.202514		CA.SMN.202514